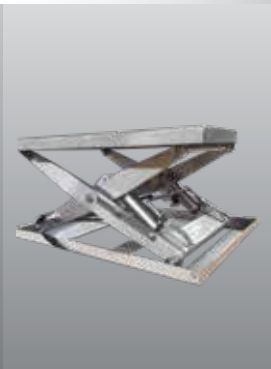
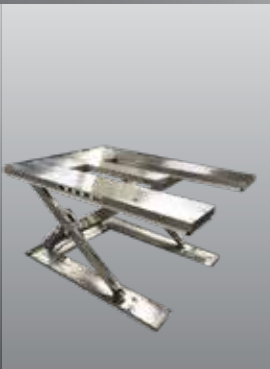




## MAJOR ACCOUNT PROGRAM

# EXPERTS IN SANITATION LIFT EQUIPMENT FOR FOOD COMPANIES



## Stainless Steel Wash Down Lift Table

Fully welded with stainless steel cylinders

2,500 to 4,500 lbs capacity

**PRICE:** \$13,900.00



### Features

- No crevices and pin holes where bacteria can form and reduced down time
- Sanitary design with stainless cylinders
- Nema4x hand controls wash down powerpack
- Standard finishes from 2B, electro polished and 35 RA

### Options

- Platform 42" x 48" and 48" x 48"
- Raised feet
- Rotating platforms, tilting platforms
- Portable and semi portable



### 30" Lift

Model	Capacity	Platform sizes	Base sizes	Lower Height	Raised Height	Motor HP	Motor weight
SL SS30-20	2,000 lbs	40" x 48"	40" x 48"	8"	40"	1.5	550lbs
SL SS30-25	2,500 lbs	40" x 48"	40" x 48"	8"	40"	1.5	625lbs
SL SS30-30	3,000 lbs	40" x 48"	40" x 48"	8"	40"	1.5	775lbs
SL SS30-40	4,000 lbs	40" x 48"	40" x 48"	8"	40"	1.5	625lbs

## Stainless Steel Ergonomic Lift Tables

4,000 - 6,000 lbs capacity

**PRICE:** \$15,900.00



### Features

- Value priced 2,000 and 2,500 lbs capacity
- USDA and CGMP compliant
- North American 304L or 316L
- Sanitary design with full pan base and platform formed to eliminate welds
- Nickel plated or stainless cylinders
- Nema hand controls, control back

### Options

- Higher lift heights
- Stainless hydraulic cylinders
- Sanitation package 6" adjustable legs to make floor around lift easier to clean
- Rotating platforms, tilting platforms
- Portable and semi portable
- Polished tig welds
- Safety railing with gates
- Air powered | Self propelled
- Double and triple lifts
- Custom sizes
- Capacities from 500 to 8,000 lbs



Nickel Plated Cylinders



Bolt Together



Delrin Rollers and Bearings



Sanitation Package

### 30" Lift

Model	Capacity	Platform sizes	Base sizes	Lower Height	Raised Height	Motor HP	Motor weight
SL SS30-20	4,000 lbs	44" x 48"	36" x 48"	8"	38"	1	550lbs
SL SS30-40	5,000 lbs	44" x 48"	36" x 48"	8"	38"	1	625lbs
SL SS30-50	6,000 lbs	44" x 48"	36" x 48"	8"	38"	1.5	775lbs

## Stainless Steel Pneumatic Lift Tables

Rotator 1,500 lbs capacity

PRICE: \$12,990.00



### Features

- Heavy Duty all welded frames
- Delrin bushings
- Life time guarantee on Firestone Airbags
- Low maintenance
- Easy operation

### Options

- Safety skirts
- Rotating platform

### 24" Lift

Model	Capacity	Platform sizes	Base sizes	Lower Height	Raised Height	Motor weight
SS SLALT2 3648	1,500 lbs	36" x 48"	36" x 48"	10"	32"	750lbs
SS SLALT2 4848	1,500 lbs	48" x 48"	36" x 48"	10"	32"	800lbs
SS SLALT2 5648	1,500 lbs	56" x 48"	36" x 48"	10"	32"	870lbs
SS SLALT2 6048	1,500 lbs	60" x 48"	36" x 48"	10"	32"	950lbs



## Stainless Steel Single & Double Portable Lift Tables 2,000 - 4,500 lbs capacity

PRICE: \$000.00



### Features

- High quality 304L and 316L stainless steel
- Foot pump and powered lift available
- Delrin rollers and bushings
- Battery powered, air powered and A/C powered
- Platform sizes to 48" x 72" (1,200mm x 1,600 mm)
- Lift heights to 78" high
- Nickel plated and stainless and washdown pumps

### Foot Pump Models

Model	Capacity	Lowered lift	Raised height	Platform size	Lower Height
SL SS34-05	500 lbs	16"	34"	24" x 36"	36" x 48"
SL SS34-10	1,000 lbs	16"	34"	24" x 36"	36" x 48"

### Double Foot Pump Models

Model	Capacity	Lowered lift	Raised height	Platform size	Lower Height
SL SSD54-05	500 lbs	18"	72"	24" x 36"	36" x 48"
SL SSD54-10	1,000 lbs	18"	72"	24" x 36"	36" x 48"

### Powered Models

Model	Capacity	Lowered lift	Raised height	Platform size	Lower Height
SL SSP34-05	500 lbs	16"	34"	24" x 36"	48" x 60"
SL SSP34-10	1,000 lbs	16"	34"	24" x 36"	48" x 60"
SL SSP34-15	1,500 lbs	16"	34"	24" x 36"	48" x 60"
SL SSP34-20	2,000 lbs	16"	34"	24" x 36"	48" x 60"

### Double Powered Models

Model	Capacity	Lowered lift	Raised height	Platform size	Lower Height
SL SSP60-05	500 lbs	18"	78"	36" x 48"	60" x 72"
SL SSP60-10	1,000 lbs	18"	78"	36" x 48"	60" x 72"
SL SSP60-15	1,500 lbs	18"	78"	36" x 48"	60" x 72"
SL SSP60-20	2,000 lbs	18"	78"	36" x 48"	60" x 72"
SL SSP60-30	3,000 lbs	18"	78"	36" x 48"	60" x 72"
SL SSP60-40	4,000 lbs	18"	78"	36" x 48"	60" x 72"

## Stainless Steel “E” Low Profile Lift Table

Load With A Pallet Truck

PRICE: \$000.00



### Features

- 304 and 316 Stainless steel
- Can be loaded with a pallet truck
- Wash down motor and Nema 4 controls standard
- Lowered height 4.1 inches
- 3000 lb capacity or 1380 Kg capacity

### Options

- Stainless steel motor
- Nema 4X Sloped control panels
- 2200 lb option with stainless cylinders
- 230/460/600 three phase available



### Technical data

Model SL SS LP E	
<b>Lowered height</b>	<b>Raised height</b>
4.1 inches	34.1 inches
110 volt power pack	

## Stainless Steel Economy Lift Tables

Foot Pump Operated

PRICE: \$000.00



### Features

- High quality 304L and 316L stainless steel
- Capacities 150 kg to 1,000 kg
- Safety clearance between scissors to prevent from trapping
- Swivel wheel with protection frame and brake to prevent foot from injury
- Built-in relief valve to fulfil overload protection
- For use in food and medicine industry
- Other capacities available



### Technical data

Model	SL B SS50 - SINGLE SCISSOR
Capacity	500 kg   1,102 lbs
Material	304 Stainless steel
Platform size	828mm x 498mm   32.6" x 19.7"
Lowered height	330mm   13"
Raised height	950mm   37.4"

## Self Adjusting Spring Loaded Pallet Positioner

4,000 lbs capacity

PRICE: \$000.00



### Features

- Automatically keeps pallet or stillage loads at an optimum working height when loading or unloading goods
- Dramatically reduces the effort required to palletise goods
- Built-in turntable allows simple load rotation and access to all sides
- Fork pockets

MODEL SPP 360-200		
CAPACITY	2,000 kg	4,000 lbs
PLATFORM DIAMETER	1,100 mm	43.6"
MINIMUM PLATFORM HEIGHT	230 mm	9.6"
MAXIMUM PLATFORM HEIGHT	706 mm	27 ¾"
BASE SIZE	916 mm x 934 mm	36" x 36 ¾"

## Stainless Steel Self Adjusting Lift Tables

PRICE: \$000.00



### Features

- Solid formed platform and base frame eliminating cracks and crevices
- Bolt together designs eliminating pinholes in welds and potential holes where bacteria can hide
- Delrin rollers and delrin bushings and bearings eliminating rust from teflon bushings and steel bearings leaking into your process
- Optional sanitation package that keeps your lift off the floor, making it simpler to clean your facility
- Air eliminates springs that will rust and crack and eventually fail
- Self adjusting and operator adjusted designs for the best ergonomic options
- Large rotator rollers for improved ergonomics

### Options

- Stainless feet
- Fork pockets
- Stainless Bellows
- Clean room Bellows
- Fixed platform
- Rectangular platform



Bolt Together



Delrin Rollers and Bearings



Sanitation Package

## Stainless Steel Double Scissor Lifts

Capacities 2,000 lbs to 6,000 lbs

PRICE: \$18,900.00



### Features

- Capacities from 2,000 lbs to 6,000 lbs
- Lift heights to 144"
- Tube and non tube units available
- Delrin rollers and Delrin bushings
- 100% grade 8 bolts
- Lift heights to 144'



Options include rotators, railings and sanitation package

### 60" Lift

Model	Capacity	Platform sizes	Base sizes	Lower Height	Raised Height	Up speed	Motor HP	Shipping weight
DSL-SS-60-20	2,000 lbs	30" x 48"	30" x 48"	10"	70"	35 sec	1	1,800lbs
DSL-SS-60-40	4,000 lbs	30" x 48"	30" x 48"	14"	74"	70 sec	1	1,800lbs
DSL-SS-60-60	6,000 lbs	30" x 48"	30" x 48"	16"	76"	90 sec	1	1,800lbs

### 72" Lift

Model	Capacity	Platform sizes	Base sizes	Lower Height	Raised Height	Up speed	Motor HP	Shipping weight
DSL-SS-72-20	2,000 lbs	30" x 60"	30" x 60"	10"	82"	45 sec	1	2,000lbs
DSL-SS-72-40	4,000 lbs	30" x 60"	30" x 60"	14"	86"	90 sec	1	2,000lbs
DSL-SS-72-60	6,000 lbs	30" x 60"	30" x 60"	16"	88"	110 sec	1	2,000lbs

### 96" Lift

Model	Capacity	Platform sizes	Base sizes	Lower Height	Raised Height	Up speed	Motor HP	Shipping weight
DSL-SS-96-20	2,000 lbs	48" x 84"	48" x 72"	10"	106"	60sec	3	3,000lbs
DSL-SS-96-40	4,000 lbs	48" x 84"	48" x 72"	14"	110"	70 sec	3	3,000lbs
DSL-SS-96-60	6,000 lbs	48" x 84"	48" x 72"	16"	110"	60 sec	3	3,000lbs

## Stainless Steel Double Portable Lift Table

Capacities 1,100 lbs

PRICE: \$8,100.00



### Features

- 304 stainless steel
- Battery powered
- Platform sizes 35.6" x 19.7"
- Delrin rollers and Delrin bushings
- 100% grade 8 bolts
- Other platform sizes available

Model	Capacity	Platform Sizes	Lower Height	Raised Height
DSL-P-59-11	1,100 lbs	19.7" x 35.6"	14.25"	59"



## Stainless Steel Triple Scissors Lift Tables

Capacities 1,000 to 10,000lbs - From 72" up to 126" lift height

**PRICE:** \$18,900.00



### Features

- Raise up to 10,000 lbs of men and material to heights of 216"
- Fits heavy loads in small footprint and will go where no other heavy equipment can travel
- Stationary manlifts or as mezzanine lifts for your facility
- Quad lifts as well as stainless steel models for clean rooms.



## Stainless Steel Ground Level Scissor Lifts

Capacities up to 4,500 lbs

**PRICE:** \$15,000.00



Flow through platforms available

### Features

- Life time no lubrication
- Formed Platform
- Rugged welded frames
- Overload Protection with built in pressure relief valves
- Delrin rollers
- North American Components

### Options

- Conveyor
- Ball Transfer
- Safety Skirts
- Photo Eyes
- Tilts
- Low Profile
- Galvanized
- Custom Paint
- Custom Sizes

### 32" Lift

Model	Capacity	Platform sizes	Base sizes	Lower height	Raised height	Shipping weight
SL SLGL 32-20	2,000 lbs	44" x 48"	63" x 54"	3/8"	32"	1,400 lbs
SL SLGL 32-201	2,000 lbs	48" x 48"	67" x 54"	3/8"	32"	1,600 lbs
SL SLGL 32-40	4,000 lbs	42" x 48"	63" x 54"	1/2"	32"	1,410 lbs
SL SLGL 32-401	4,000 lbs	48" x 48"	67" x 54"	1/2"	32"	1,650 lbs
SL SLGL 32-60	6,000 lbs	48" x 48"	63" x 54"	1/2"	32"	1,750 lbs



**SUPERLIFT**  
SANITARY LIFTS

## Stainless Steel Semi Portable Ground Level Lift

Capacity up to 4,000 lbs

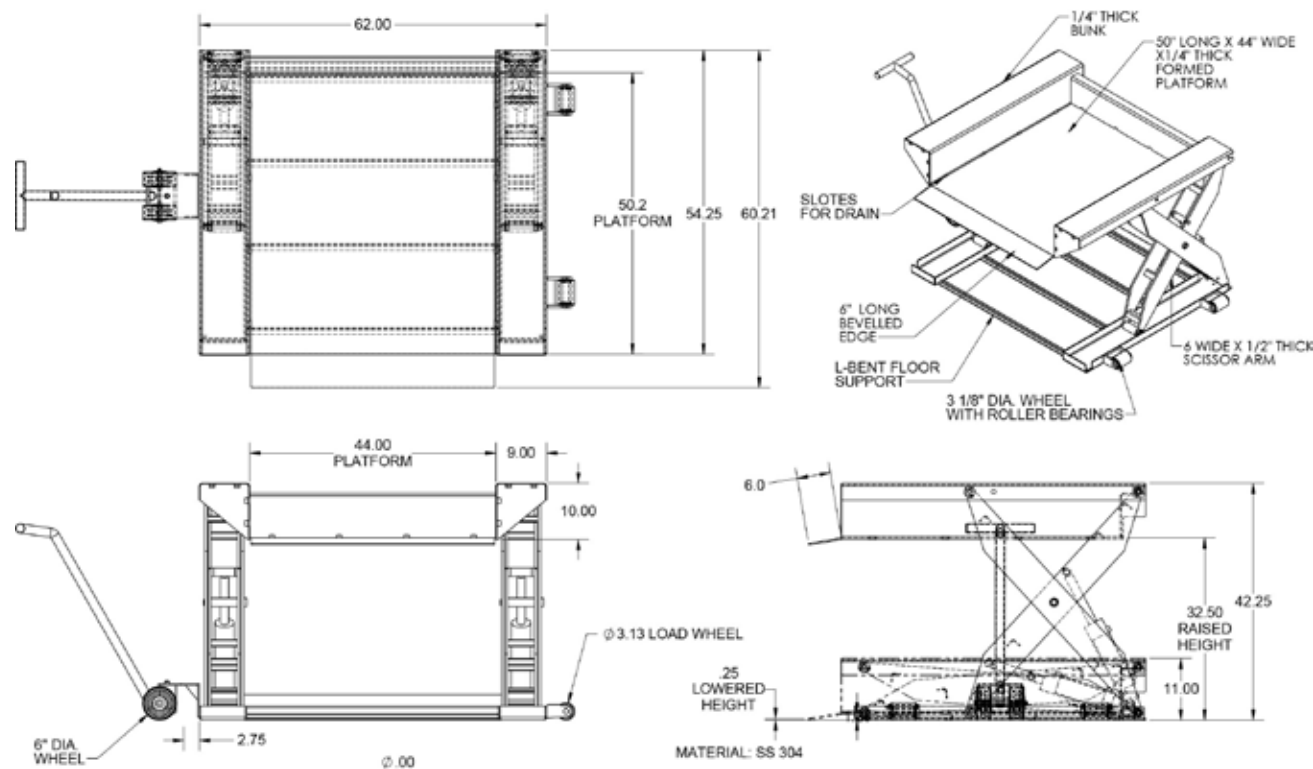
**PRICE:** \$15,900.00



### Features

- Up to 4,000lbs capacity
- Ground level loading
- Move when empty for sanitation purposes
- 304 stainless steel
- Stainless steel cylinders
- Full continuous welds
- Wash down motor

### Drawings



## Stainless Steel Scissors Lift & Tilt

Capacities to 4,000

**PRICE:** \$18,900.00



### Features

- Stainless steel lift and tilt
- Capacities to 4000 lbs
- Tilt angle up to 75 degrees
- Lift heights to 120 inches for ingredients

### Options

- Operator Adjusted
- Explosion Proof





## Stainless Steel Portable Tote Tilter & Straddle Tote Tilter

PRICE: \$00,000.00



### Features

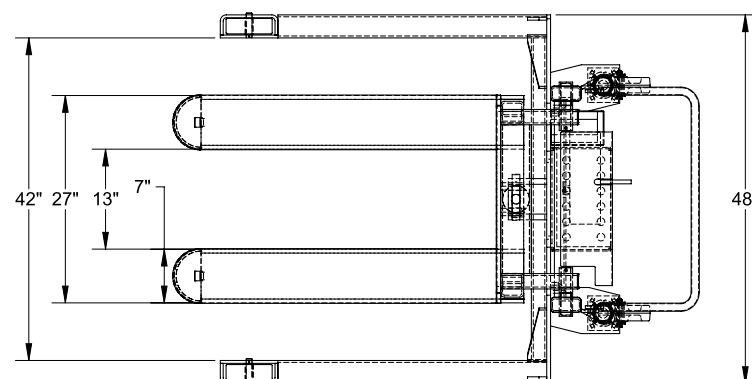
- 304L and 316L Stainless Steel or Epoxy finished
- Up to 90 degrees of tilt angle
- Straddle and fork over styles available
- 2,500lbs capacity
- Ergonomics height of 32" to bottom of tote 110 V and 24 V DC

### Specifications

Capacity	2,500 lbs
Construction	Stainless Steel
Lowered height	6.5"
Dump height	34" to 48"
Forks	6" wide x 25" long 15" between forks
Power pack	24 volt DC with hand controls
Tilt angle	85°
Paint	White epoxy



### Drawings



## Stainless Steel Sanitary Front Loading Ground Level Tilter

2,000 to 3,000 lbs capacity

PRICE: \$00,000.00



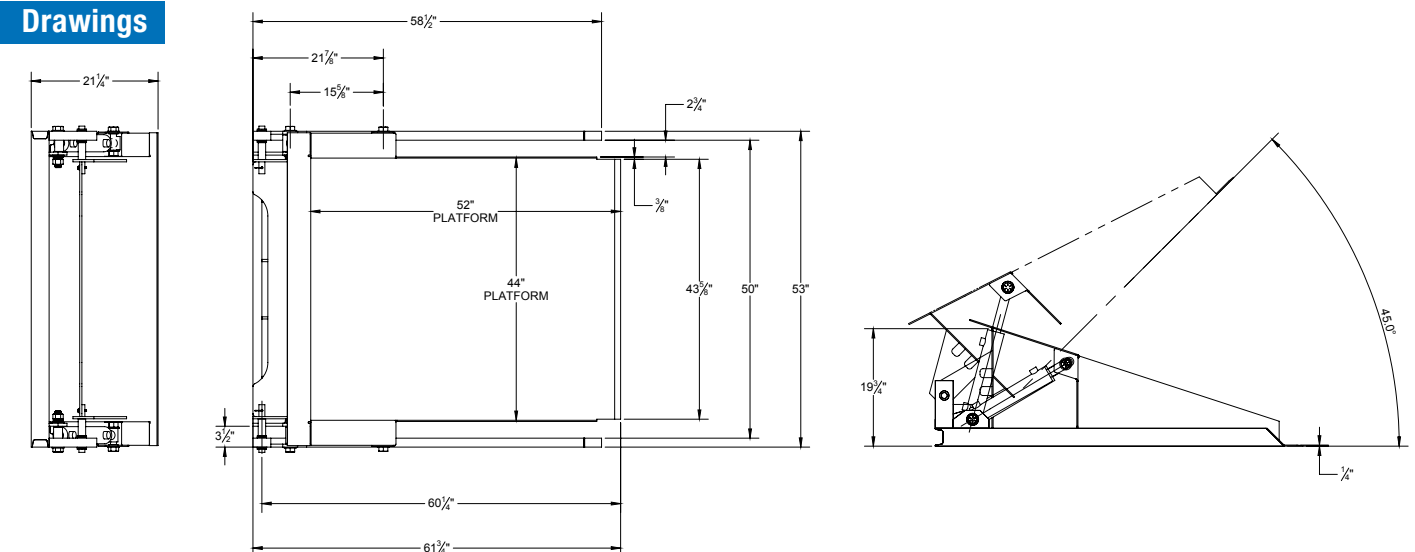
### Features

- 304 Stainless steel
- 45° and 75° tilt angles
- Sanitary no weld platform
- Capacity 2,000 lbs to 4,000 lbs
- Washdown motors
- No enclosed metal and no tube

### Options

- Stainless steel motor
- Electro polish
- Sloped stainless control panels
- 316 Stainless steel
- Stainless steel cylinders

### Drawings



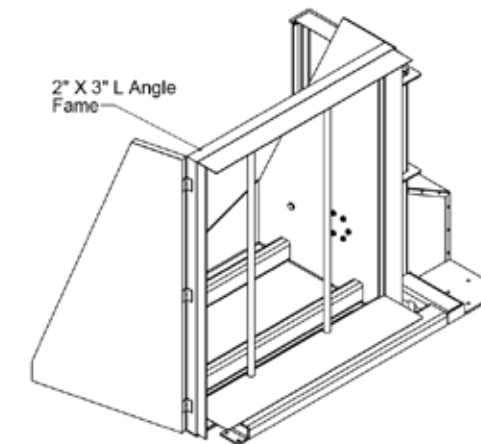
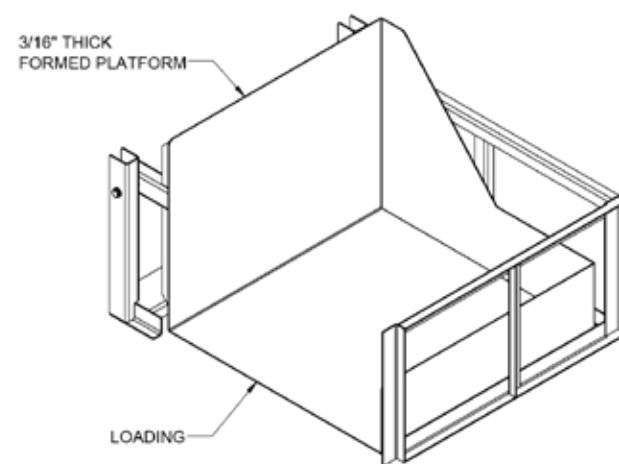
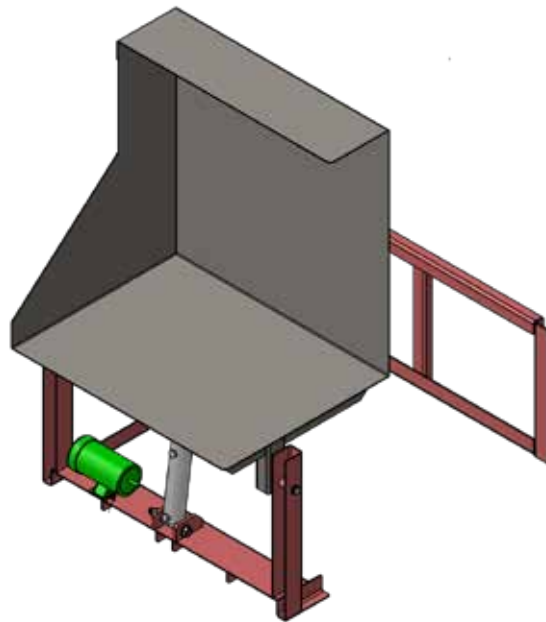
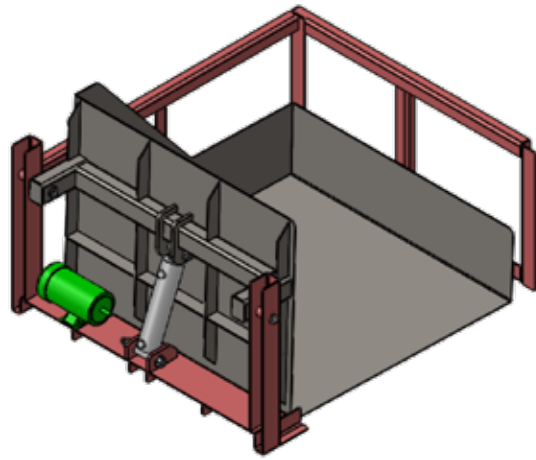


## Stainless Steel Side Loading Ground Level Tilter

PRICE: \$00,000.00

### Features

- Side loading
- Stainless steel construction
- 90° Tilt angle
- Stainless steel cylinder
- Wash down motor
- NEMA 4 controls



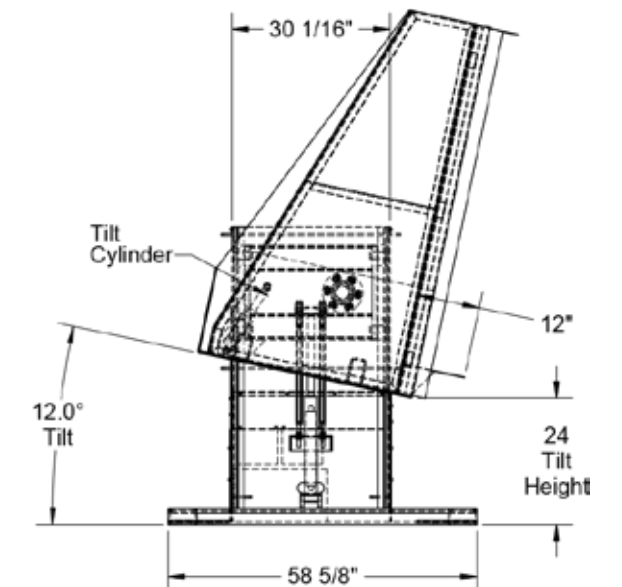
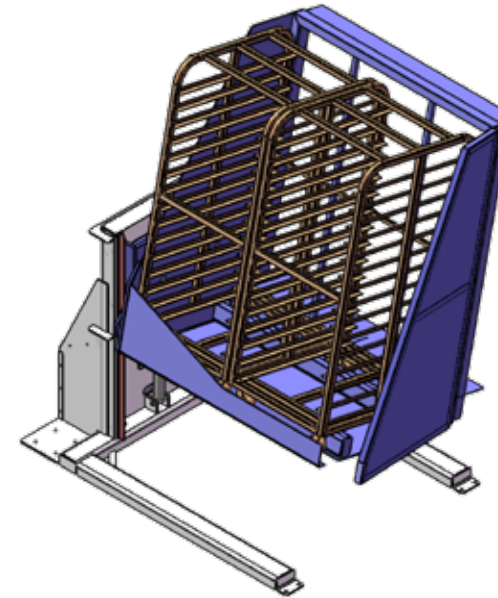
## Stainless Steel Front Loading Lift & Tilt

2,000 lbs capacity

PRICE: \$00,000.00

### Features

- 304 Stainless steel
- Adjustable lift
- Adjustable lift
- 2,000 lbs capacity
- Ground level loading
- Adjustable tilting angle





## Stainless Steel High Point Tilter

1,000/2,000/3,000 lbs

PRICE: \$00,000.00



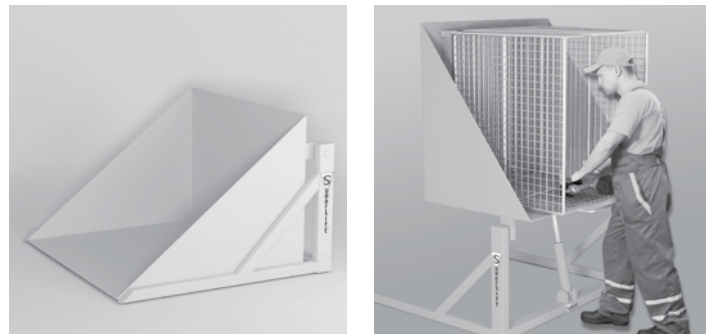
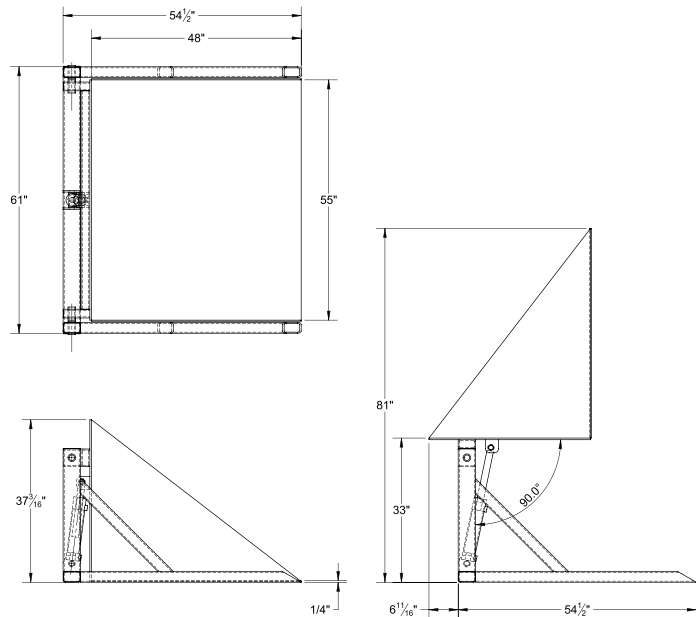
### Features

- Ground level loading with pallet truck up to 90 degree tilt angle at 33 inches
- 30 inch reach max in tilted position to end of back plate
- Electric hydraulic
- Hand control standard
- A/C 110/1/60 volt (standard) Hand or foot control
- A/C 460/575/3/60 vol (optional) Hand or foot control

### Options

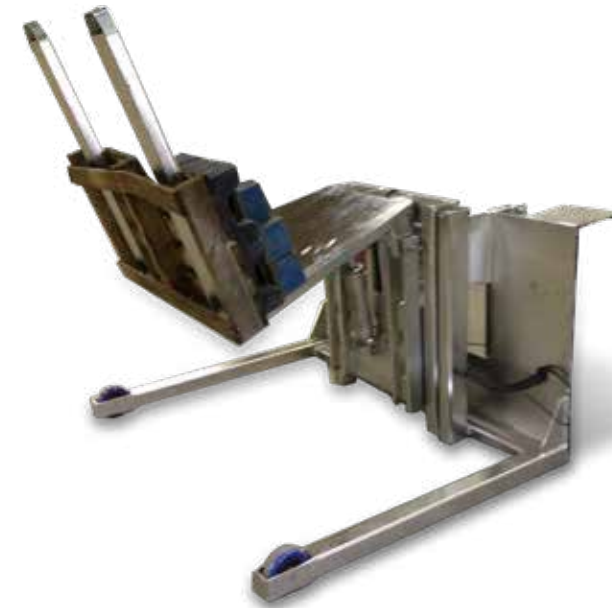
- Increase/restrict tilt angle
- Full plated platform
- Increase/reduce platform size
- Semi-portable c/w dolly handle

### Drawings



## Stainless Steel IBC Lift & Tilt Ergo Positioner

PRICE: \$00,000.00

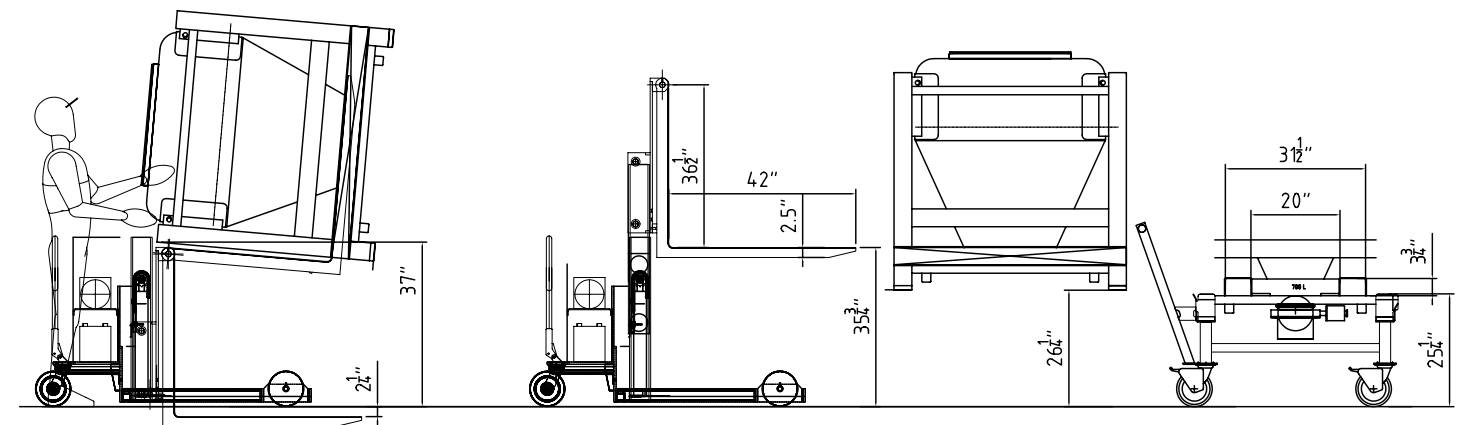


### Features

- Stainless steel construction and lift heights to 144"
- Ensures the IBC is in the perfect position for maintenance and cleaning
- Portable push around or portable power driven
- Made in North America
- 100% Stainless steel 304L and 316L
- Available in painted, galvanized and steel it paint
- ?? 230/460 volt or 24 volt DC



### Drawings





## Stainless Steel Pneumatic Tilter

PRICE: \$00,000.00



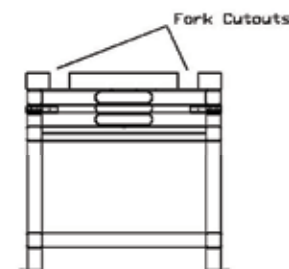
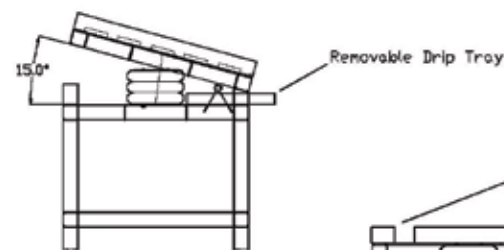
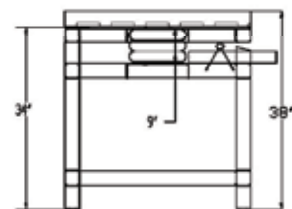
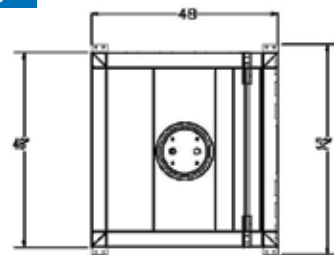
### Features

- 100% Stainless steel frame
- Available in 304L and 316L stainless steel
- Capacities 500 to 5,000 lbs
- Finishes 2B, electro polished and 35 RA
- Clean room compliant
- Food, pharmaceutical & other washdown applications
- Floor mounted or stand mounted
- cGMP Models available
- Custom designs
- UL and CE approved
- Air bag powered

### Options

- cGMP
- Epoxy coatings, galvanized, nickel plated and linexcoatings available
- Rider platforms
- Horizontal travel models
- Straddle trucks, counterbalance fork over and walkie reach trucks are all available

### Drawings



## Stainless Steel Pneumatic Column Ingredients Lift

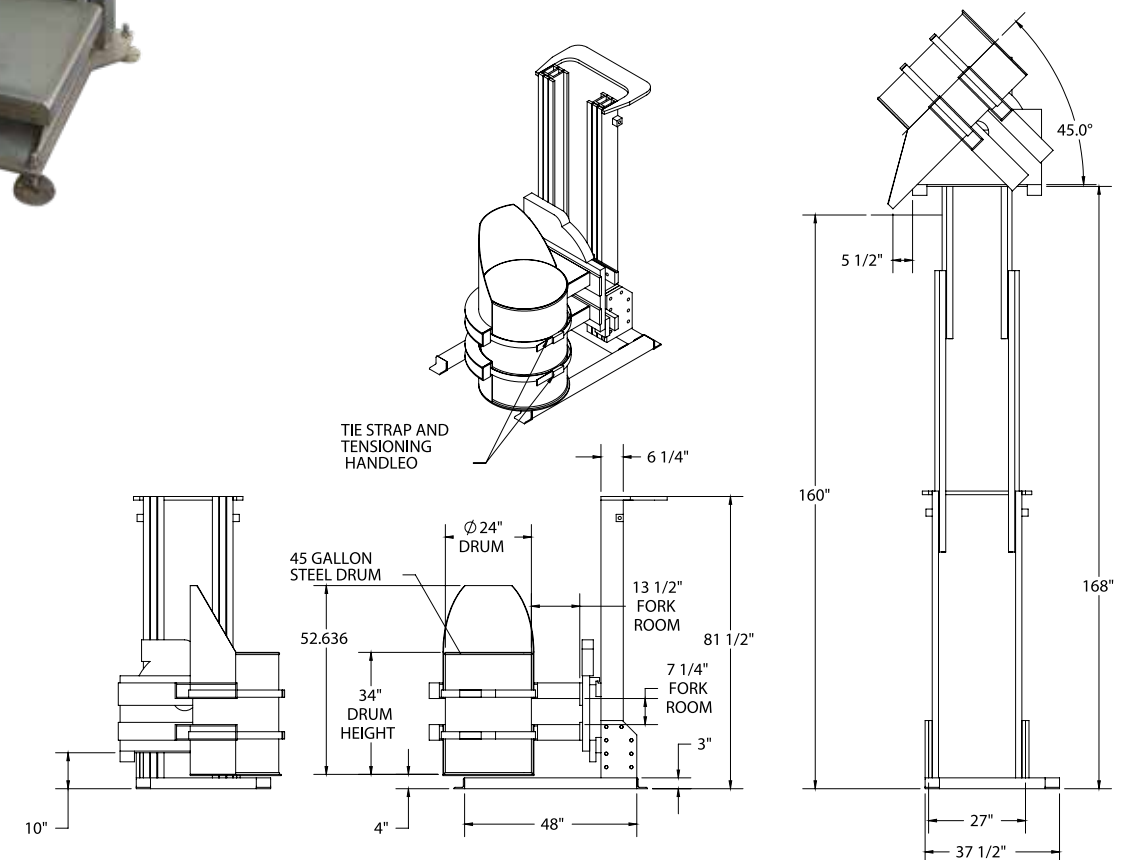
350 lbs capacity

PRICE: \$00,000.00



### Features

- 304L stainless steel
- Capacities to 350 lbs
- Lift heights to 36 inches
- Ergonomic design
- Fully washdown
- Pneumatic stainless cylinder
- No pinch points
- Sanitary design





## Stainless Steel Ground Level Mezzanine Column Lift

Capacity up to 3,000 lbs

PRICE: \$000.00



Lift height to 120"

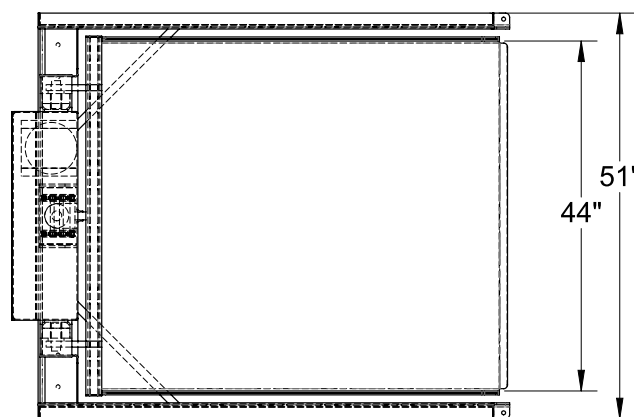
### Features

- 304 Stainless steel
- Sanitary no weld platform
- Capacity up to 3,000 lbs
- Wash down motors
- No enclosed metal and no tube
- Front load and Side Loading available Stainless steel motor

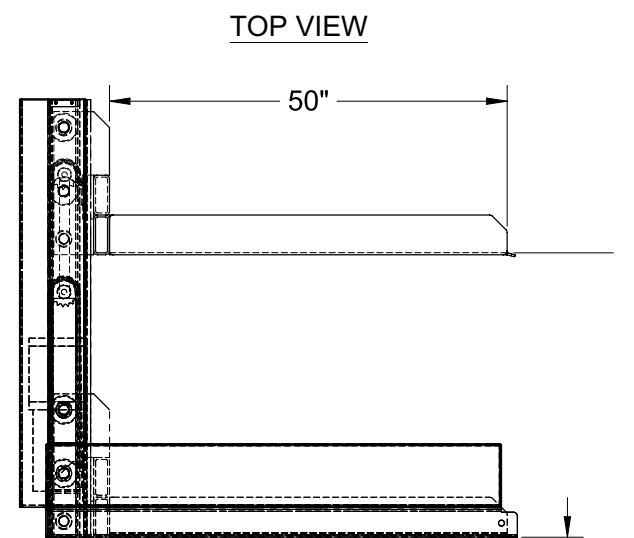
### Options

- Electropolish
- Sloped stainless control panels
- 316L Stainless steel
- Stainless steel cylinders

### Drawings



TOP VIEW

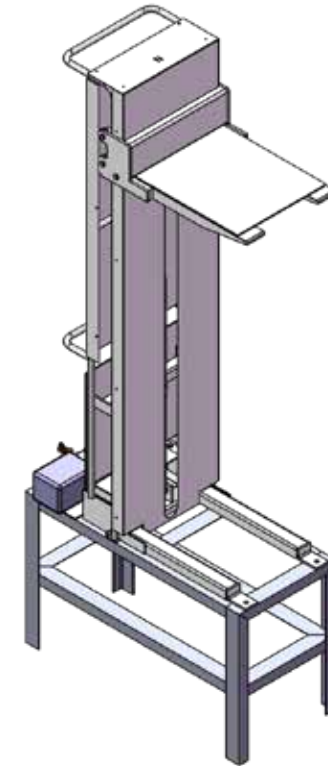


FRONT VIEW

## Stationary Light Duty Column Lift

400 lbs capacity - 92" & 102" lift heights

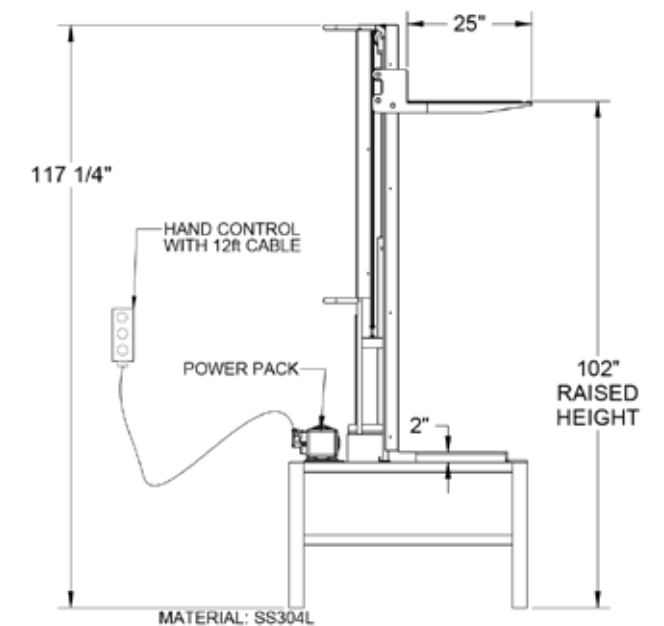
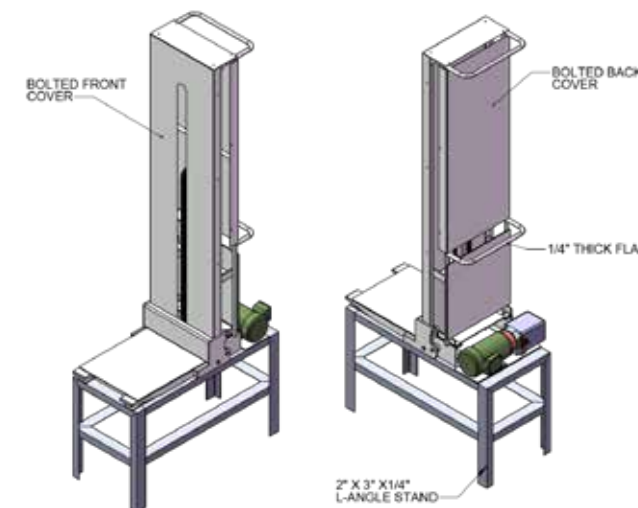
PRICE: \$14,900.00



### Features

- Capacity 400lbs
- Fork 25" long x 20" OD x 4" width
- Lowered height 32"
- Raised height 102"
- Power pack 110v wash down motor with
- Hand control

### Drawings



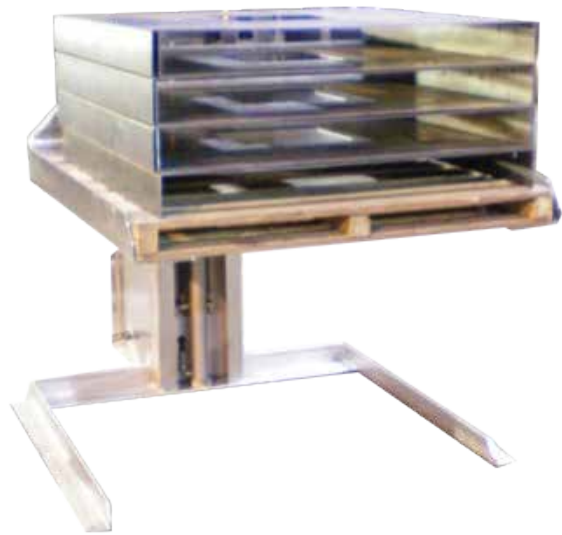
## Stainless Steel Light Duty Column Lift

1,000 lbs capacity

PRICE: \$00,000.00

### Features

- 304 Stainless steel
- 36" and 48" Lift heights
- Wash down power pack
- Clean room compliant
- UL and CSA approved
- Electro polish finish



## Stainless Steel Ground Level Column Lift

2,500 lbs capacity

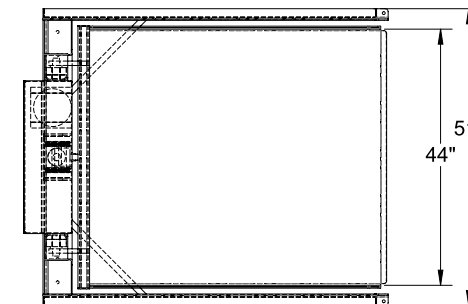
PRICE: \$00,000.00

### Features

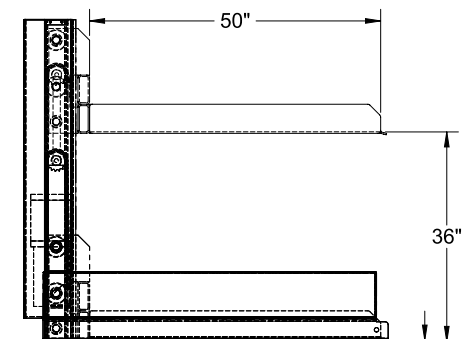
- Life time no lubrication
- Velocity fuses on all cylinders
- Reinforced platforms
- Fully welded frames
- Overload protection with built in pressure relief valves
- Delrin rollers
- North America components

### Options

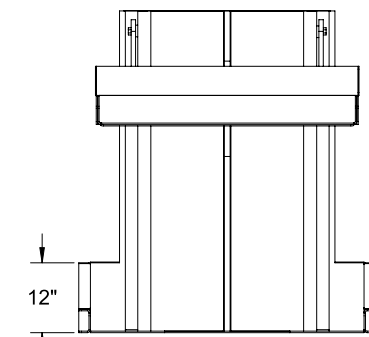
- Ball Transfer
- Photo Eyes
- Electro-mechanic toe guards
- Stainless Steel and Galvanized
- Custom Sizes
- Rotating Platforms



TOP VIEW



FRONT VIEW



SIDE VIEW



**SUPERLIFT**  
SANITARY LIFTS

## Stainless Steel Column & Mezzanine Lifts

600 lbs to 6,000 lbs capacity

**PRICE:** \$00,000.00



### Features

- 304L and 316L stainless steel
- Ground level loading
- Front and side loading models
- Lift heights 2 to 240 inches
- Sanitary design reduces cleaning time
- Capacities from 500 lbs to 6,000 lbs
- Operator controlled and automated models
- Meets ANSI standards, TSSA standards available
- cGMP and USDA

### Options

- Standard and polished finishes
- Clean room compliant
- Epoxy coated and galvanized available
- Painted mild steel also available
- Stainless steel enclosures and mezzanines are available



# ELIMINATOR DUMPERS THE CLEANEST DUMPERS IN THE INDUSTRY

## Stainless Steel Ground Level Dumpers

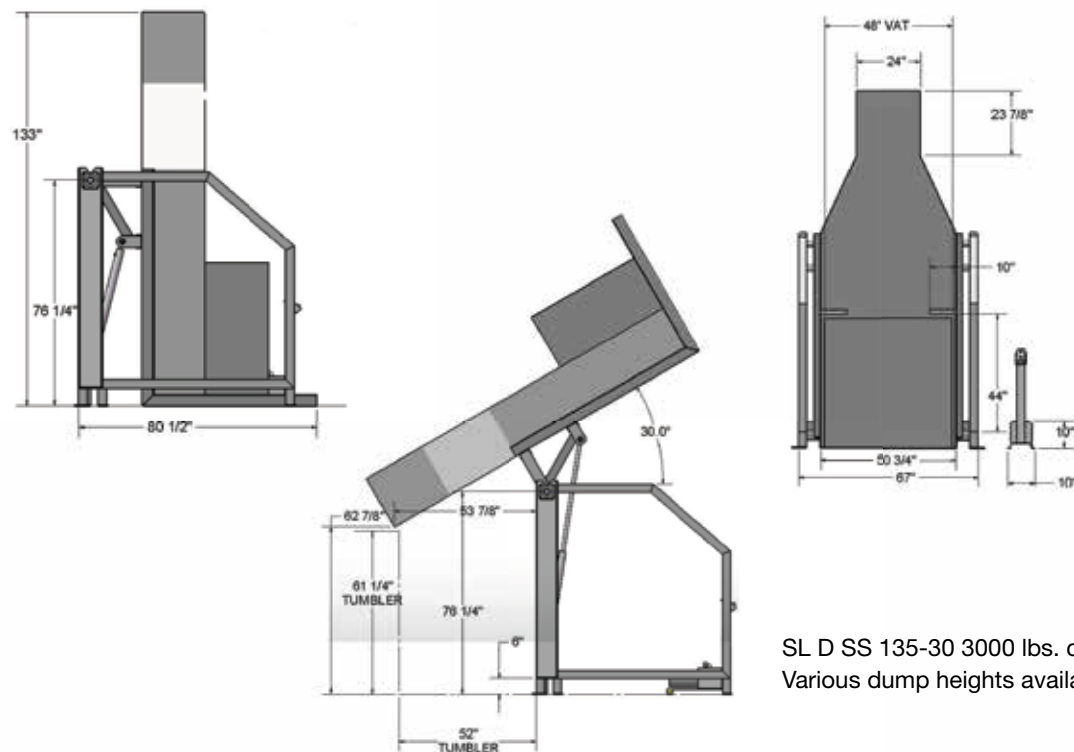
PRICE: \$00,000.00



### Features

- 100% Stainless steel Angle + Plate Design and no tube is used in the design
- Available in 304L and 316L stainless steel
- Capacities to 3,000 lbs
- Finishes 2B, electro polished
- For washdown applications
- Custom designs
- UL approved
- Faster sanitation times

### Drawings



SL D SS 135-30 3000 lbs. capacity  
Various dump heights available

## Stainless Steel Ground Level Column Dumpers

PRICE: \$00,000.00

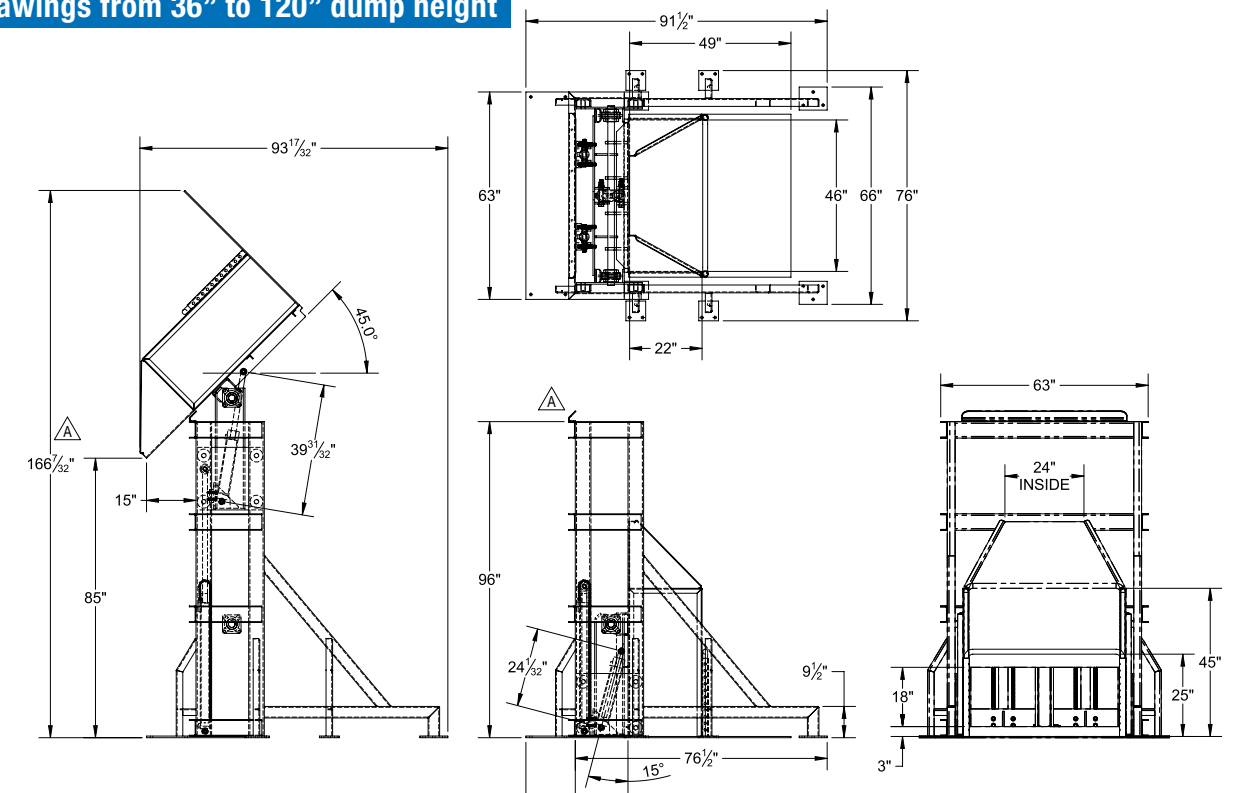


### Features

- 500 lbs to 3,500 lbs capacity
- No tube or enclosed material
- 304L or 316L stainless steel
- Dump angle to 135°
- Up to 10 feet dump heights
- Ground level loading
- Faster sanitation times

Eliminates the possibility of listeria or bacteria

### Sample Drawings from 36" to 120" dump height



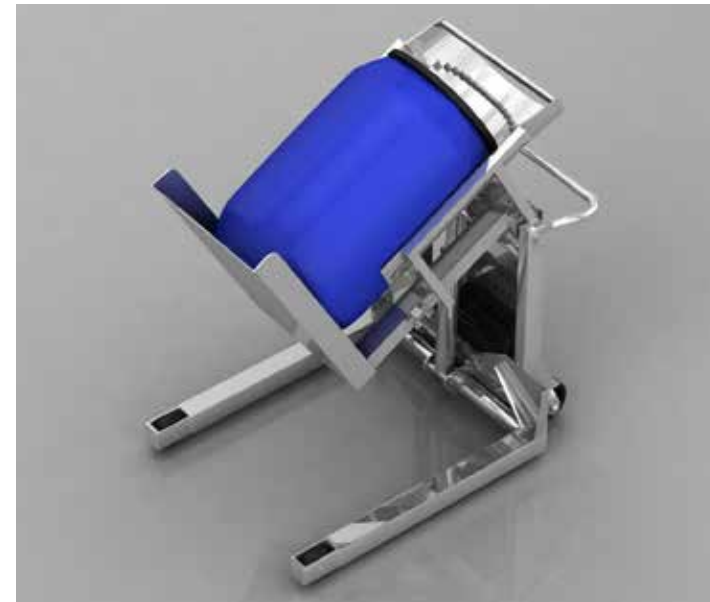




## Stainless Steel Portable Tipper/Dumpers

Sanitary Design for Drums, IBC's and Combo's

**PRICE:** \$00,000.00

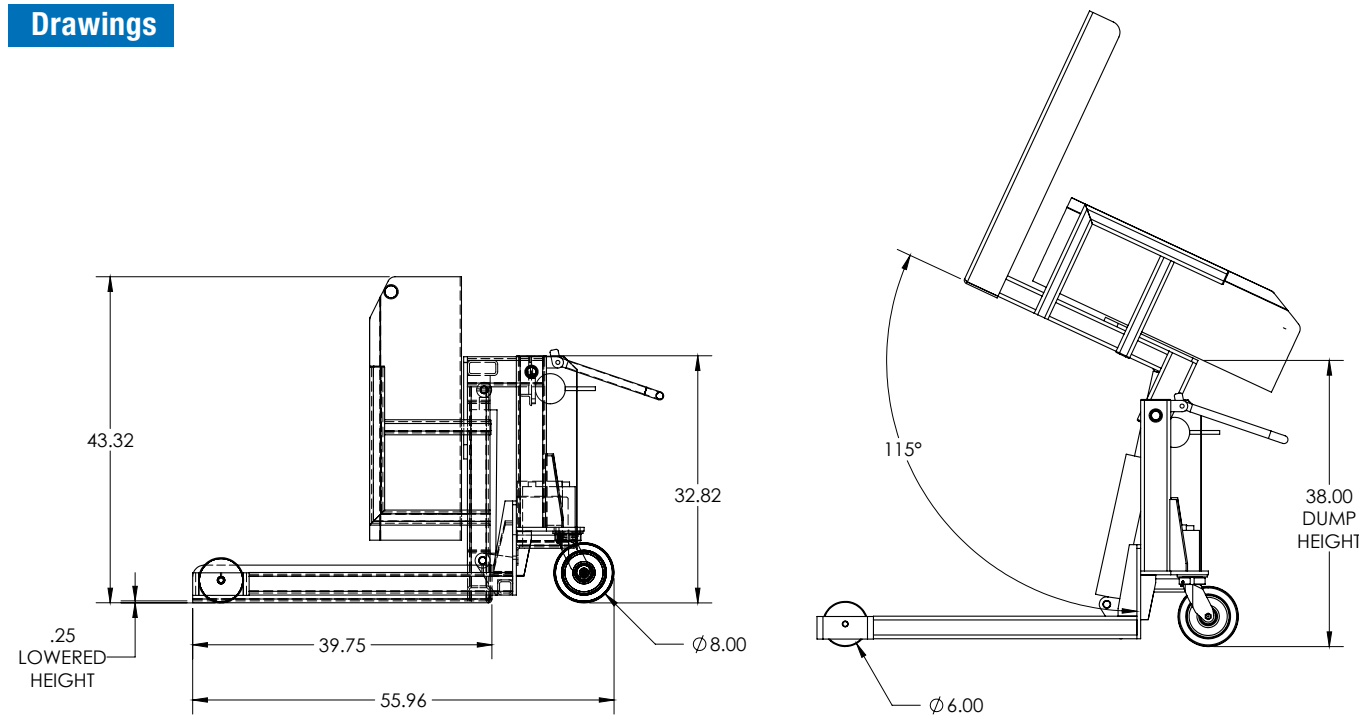


### Features

- 38", 48" and 60" tipping height
- Up to 115 degree tipping angle
- 1,000 lbs capacity
- Stainless Steel



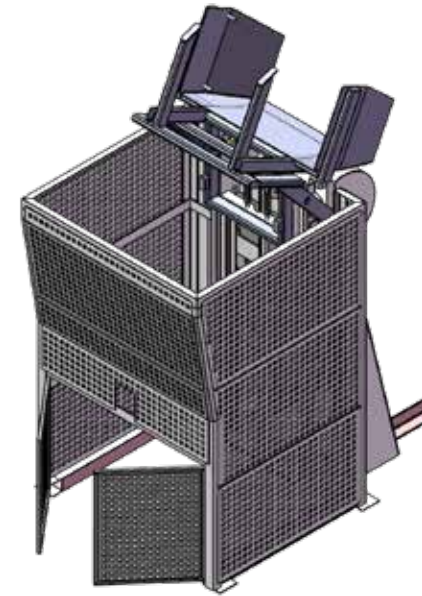
### Drawings



## Stainless Steel Fully Enclosed Dumpers

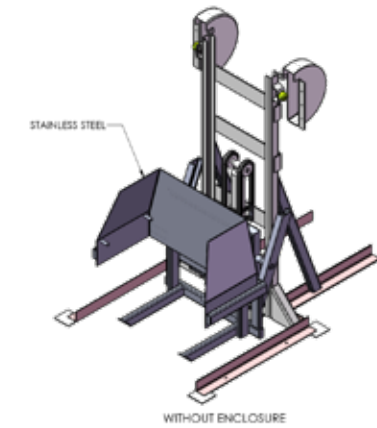
3,500 lbs Capacity - Dump Heights Up To 120"

**PRICE:** \$00,000.00

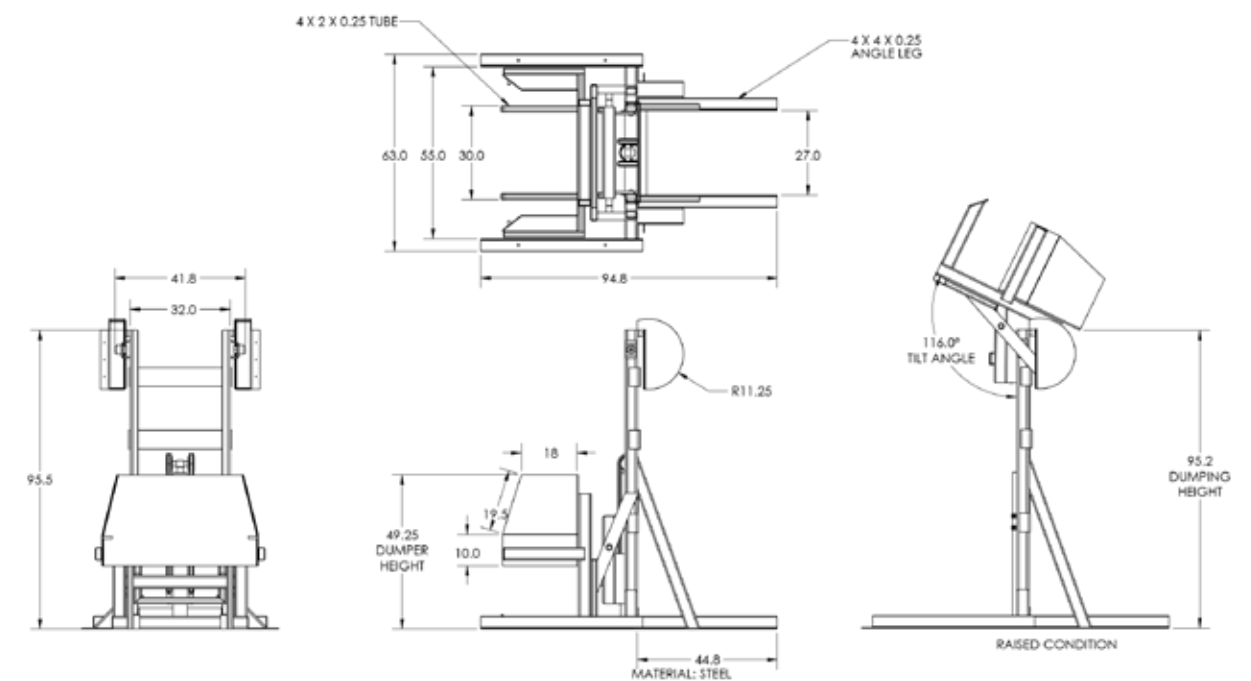


### Features

- 304 and 316 stainless steel available
- Fully enclosed with interlocks
- Automatic dumping
- Safety loading



### Drawings





## Stainless Steel Push Stacker Portable Ingredients Lift

**PRICE:** \$00,000.00



### Features

- 100% Stainless steel frame carriage, forks and undercarriage
- Available in 304L and 316L stainless steel
- Capacities 500 to 2,500 lbs
- Finishes 2B, electro polished and 35 RA
- Clean room compliant
- For Food, pharmaceutical,
- Custom fork sizes
- cGMP Models available
- Lift heights to 189 inches
- Custom designs
- UL and CE approved chemical and other washdown applications

### Technical data

Model	Capacity	Voltage	Height	Fork
SL SS PS 10	1,000 lbs	24 V	20" - 120"	
SL SS PS 20	2,000 lbs	24 V	20" - 120"	36"-72" long
SL SS PS 25	2,500 lbs	24 V	20" - 120"	

## Stainless Steel Electric High Lift Scissor Truck 3,300 lbs capacity

**PRICE:** \$6,390.00



### Features

- World class quality and performance
- For use in meat and other food industry, dairy canning and all areas where corrosive acids and saline solutions are used
- Single stage cylinder
- No decrease of capacity
- No risk of leakage
- No dangerous dropping of second stage cylinder
- With built-in charger or built-out charger on customer's request
- Custom Paint
- Custom Sizes

	ACS1558M	ACS1554M
Type	Electric	Electric
Rated Capacity	1,500kg   3,300 lbs	1,500kg   3,300 lbs
Max. Fork Height	800mm   315"	800mm   315"
Min. Fork Height	85 ±w 2mm   33.5" ± 0.75"	85 ± 2mm   33.5" ± 0.75"
Size of Fork	160mm x 50mm   63" x 19.6"	160mm x 50mm   63" x 19.6"
Width Overall Fork	680mm   26.7"	540mm   21"
Length of Fork	1150mm   452.7"	1150mm   452.7"
Fork Roller	80mm x 70mm   31.4" x 27.5"	80mm x 70mm   31.4" x 27.5"
Steering Wheel	180mm x 50mm   70.8" x 19.6"	180mm x 50mm   70.8" x 19.6"
Battery	12V/60AH	12V/60AH
Lifting Motor	0.8 KW	0.8 KW
Net Weight	165kg   286.6lb	160kg   352lb

## Stainless Steel Manual Pallet Truck

27" x 48" Forks - 5,000 lbs capacity

**PRICE:** 2,310.00



### Features

- 304L and 316L Stainless Steel
- Up to 4,000 lb capacity
- Wider forks to 36" wide
- Longer forks to 96" long
- Narrow or wider forks
- North American Stainless

**20.5" x 48" Forks available**



## Stainless Steel Clean Room Straddle Stacker

Capacities Up To 4,500 lbs

**PRICE:** \$000.00



### Features

- 100% Stainless steel frame carriage, forks and undercarriage
- Available in 304L and 316L stainless steel
- Capacities 500 to 5,000 lbs
- Finishes 2B, electro polished and 35 RA
- Clean room compliant
- For Food, pharmaceutical, chemical and other washdown applications
- Custom fork sizes
- cGMP Models available
- Lift heights to 189 inches
- Custom designs
- UL and CE approved

### Options

- Capacities up to 4,500lbs
- cGMP
- Other lift height
- Straddle trucks, counterbalance fork over and walkie reach trucks are all available





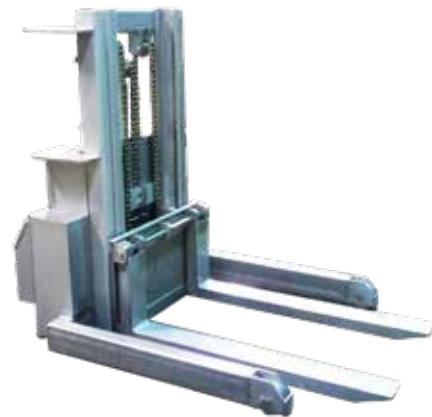
## Stainless Steel Tight Turning Straddle Stacker 1,000 to 3,000 lbs capacity

**PRICE:** \$00,000.00

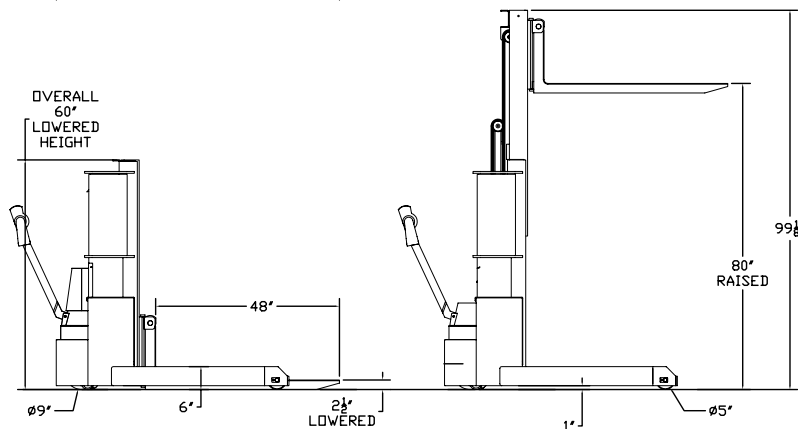
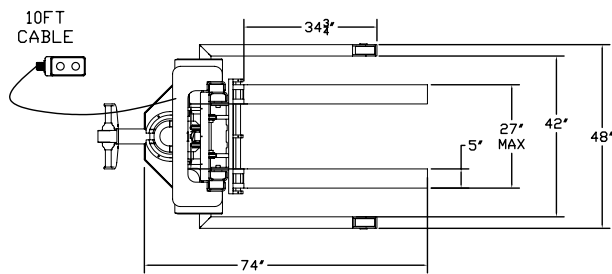


### Features

- Heavy capacity for lifting IBC's and other ingredients pallets with the smallest footprint available.
- 1,000 to 3,000 lbs capacity
- Built in charger
- 304L and 316L stainless
- 83" lowered mast height with lift height to 144"
- Single, double and triple mast



### Drawings



## Stainless Steel Pharmaceutical Grade Pallet Truck - 4,500 lbs Capacity | 27" x 48" Forks

**PRICE:** \$27,900.00



### Features

- 100% Stainless steel frame carriage, forks and undercarriage
- Available in 304L and 316L stainless steel
- Capacities 500 to 10,000
- Finishes 2B, electro polished and 35 RA
- Clean room compliant
- For Food, pharmaceutical, chemical and other demanding application
- Custom fork for lengths and widths
- cGMP Models available
- 24 Volt E and EE ratings galvanized, powder coated and epoxy steel it painted models available

### Options

- Stainless steel Platform trucks to 6,000 capacity
- Available in lift heights to 36"
- Custom sizes to 10,000 lbs capacity



## Stainless Steel Pallet Truck

4,500 lbs Capacity

**PRICE:** \$16,900.00



### Features

- 316 Stainless Steel
- 4,500lbs capacity
- Full stainless steel construction with battery and charger

## Stainless Steel Uplift Pallet Trucks

Capacity 3,300 lbs

**PRICE:** \$12,000.00



### Features

- 3,000 lbs capacity
- 304 L
- 27" x 48" forks
- Lithium battery
- Small profile for clean room and RTE food application

- Manufactured entirely of stainless steel and specially designed for corrosive environments and other applications
- In compliance with high standards of hygiene, such as food processing and pharmaceutical industries

### Options

- 316L Stainless steel
- Rider platforms
- Capacities to 10,000 lbs

General data		
Manufacturer's type designation	PTE15N	
Drive	Battery	
Operator type	Pedestrian	
Load capacity/rated load	1.5 T	
Load centre distance	23.6"	
Load distance centre or drive axle to fork	37.2"	
Wheelbase	46.5"	
Weight		
Service weight	271lbs	277lbs
Axle loading, laden front/rear	1,102lbs/2,475lbs	1,380lbs/2,204lbs
Axle loading, unladen front/rear	211lbs/59.5lbs	218lbs/59lbs



## Stainless Steel Reach Truck

PRICE: \$00,000.00



### Features

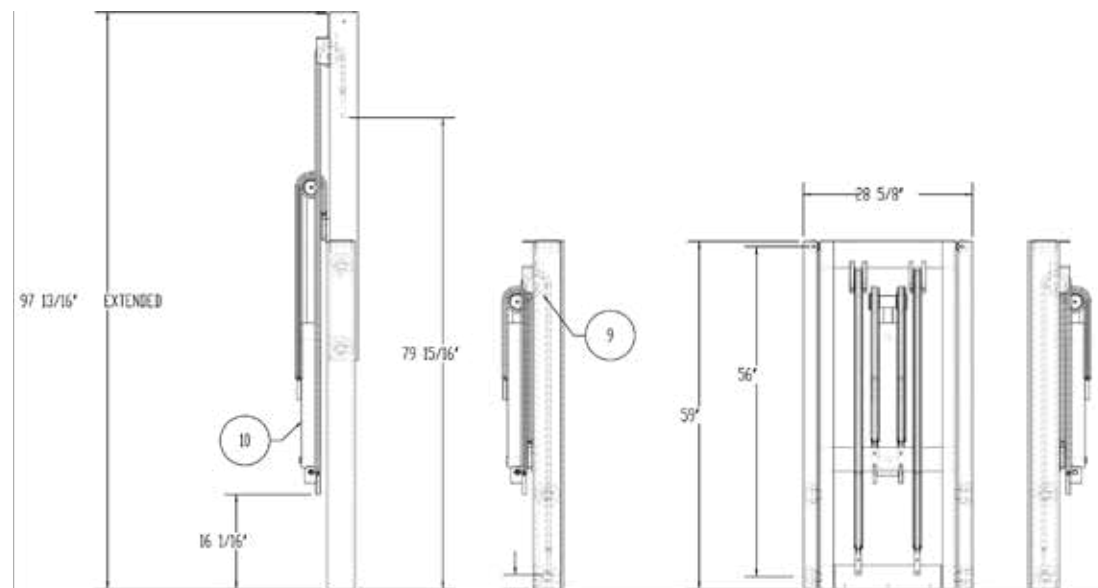
- Up to 3,000 lbs capacity
- 304L Stainless steel
- 24" reach mechanism
- Tilting forks

### Options

- 316L Stainless steel
- Rider platforms



The speed control provides fingertip control for driving the truck



## Stainless Steel Movable Mast Reach Truck

1,000 to 2,000 lbs capacity

PRICE: \$00,000.00

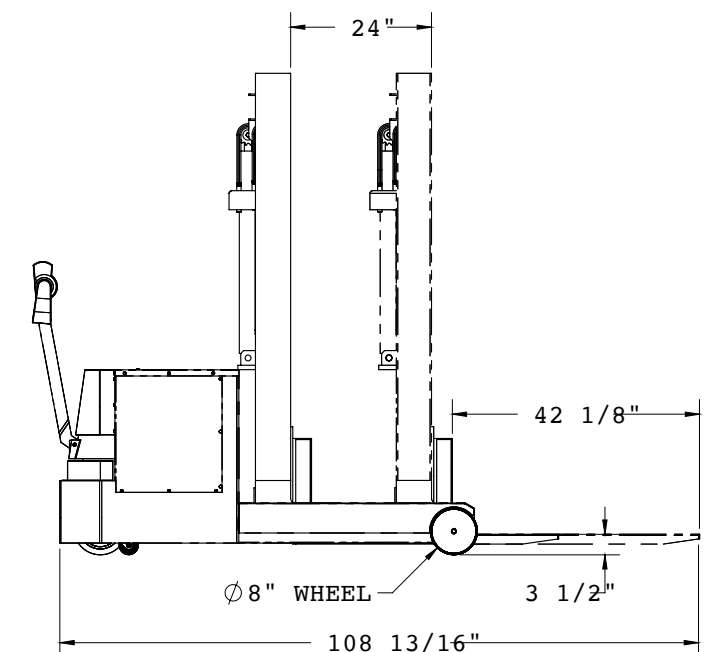
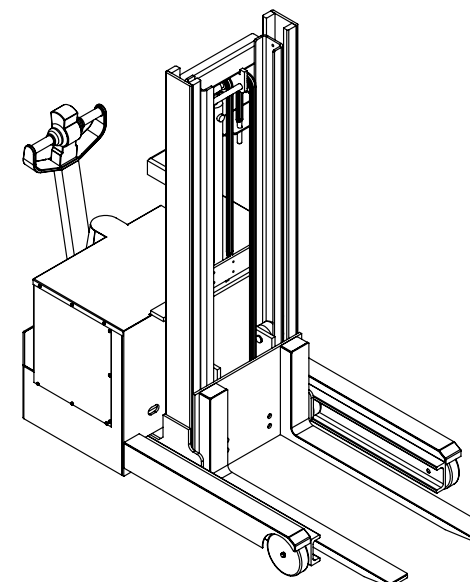


### Features

- Movable Mast European Style
- Pantogram Scissor Style from North America
- 1,000 to 2,000 lbs capacity
- A/C Drives
- 304L or 316L Stainless Steel
- T.G. Welded Fully Welded



### Drawings





## Stainless Steel Counterbalance Stacker

**PRICE:** \$00,000.00

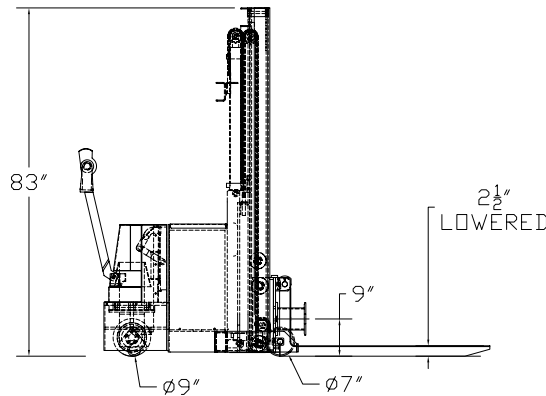


### Features

- 100% Stainless steel frame carriage, forks and undercarriage
- Available in 304L and 316L stainless steel
- Capacities 500 to 5,000 lbs
- Finishes 2B, electro polished and 35 RA
- Clean room compliant
- For Food, pharmaceutical, chemical and other washdown applications
- Custom fork sizes
- cGMP Models available
- Lift heights to 189 inches
- Custom designs

### Options

- cGMP
- Epoxy coatings, galvanized, nickel plated and linex coatings available
- Rider platforms
- Horizontal travel models
- Straddle trucks, counterbalance fork over and walkie reach trucks are all available



### Technical data

Model	Capacity	Voltage	Height	Fork
SL SS WCB 10	1,000 lbs	24 V	36" x 154"	
SL SS WCB 20	2,000 lbs	24 V	36" x 154"	36"-72" long
SL SS WCB 25	2,500 lbs	24 V	36" x 154"	12"-48" wide
SL SS WCB 30	3,000 lbs	24 V	36" x 154"	

## Stainless Steel Walkie Fork Over Stacker

Up to 4,000 lbs

**PRICE:** \$00,000.00



### Features

- 100% Stainless steel frame carriage, forks and undercarriage
- Available in 304L and 316L stainless steel
- Capacities 500 to 4,000 lbs
- Finishes 2B, electro polished and 35 RA
- Clean room compliant
- For Food, pharmaceutical, chemical and other washdown applications
- Custom fork sizes
- cGMP Models available
- Lift heights to 189 inches
- Custom designs

### Options

- cGMP
- Epoxy coatings, galvanized, nickel plated and linex coatings available
- Rider platforms
- Straddle trucks, counterbalance fork over and walkie reach trucks are all available
- Tight turning models for small clean rooms platforms



## Stainless Steel Straddle Truck

3,000 lbs capacity

PRICE: \$19,990.00

### Features

- 304 Stainless steel
- 43" ID Straddle legs
- 51" OD Straddle legs
- 83" Lowered
- 114" Raised height
- Adjustable forks
- Battery and charger



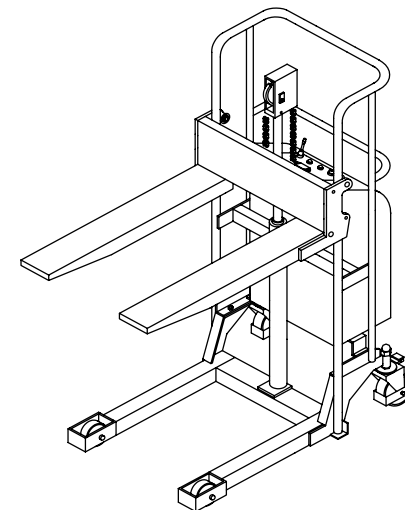
## Stainless Steel Portable Light Duty Stacker

800 lbs capacity

PRICE: \$7,990.00

### Features

- 304 material, good for corrosive acids application
- Simple and easy operation
- Hand push drive
- Overload protection via pressure valve
- Safe operation and secure working conditions
- Stable chassis with 2 frame wheels and 2 steering casters
- Option platform sizes and various fork lengths available
- 72" Lift height







## Stainless Steel Winch Lifts

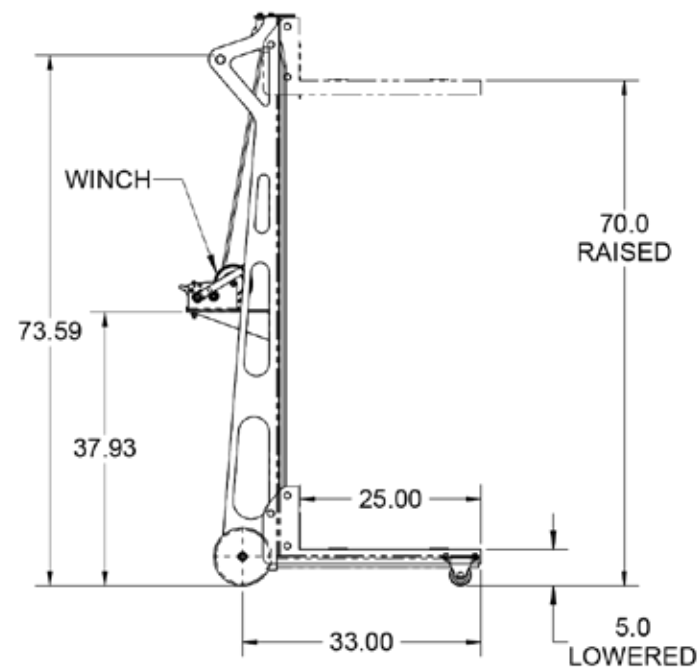
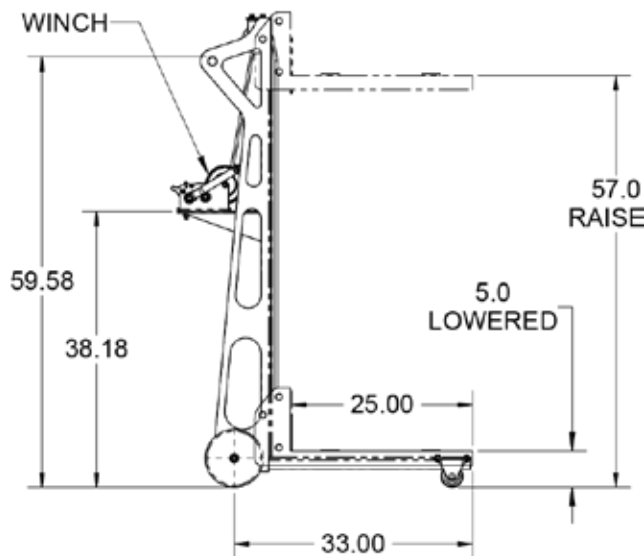
57" and 70"

PRICE: \$000.00



### Features

- North American Stainless Steel
- Winch or Foot Pump Style
- Up to 80" Lift Height V Groove Platform
- Core Ram
- American Made Foot Pump
- With or Without Load Wheels



## Stainless Steel Walkie Stacker with Drum Lift

PRICE: \$00,000.00

### Features

- 1,000 capacity
- 304 Stainless steel
- Powered grip



## Stainless Steel Manual Drum Lift

PRICE: \$00,000.00

### Features

- Removes drums from Pallets and containment skids
- Capacity to 990 lbs or 450 Kg
- 100 % 304 L stainless steel
- Lockable casters, stainless steel cylinder
- Powered drive available



### Technical data

Model	SL SS DL
Lifting Capacity	450kg   992 lbs
Lifting Height	500mm   19.6"
Lifting per stroke	11.6mm   0.45"
Drum size	572mm (22.5"Diam) / 210Lifters (550gallon)
Net Weight	165kg   364 lbs

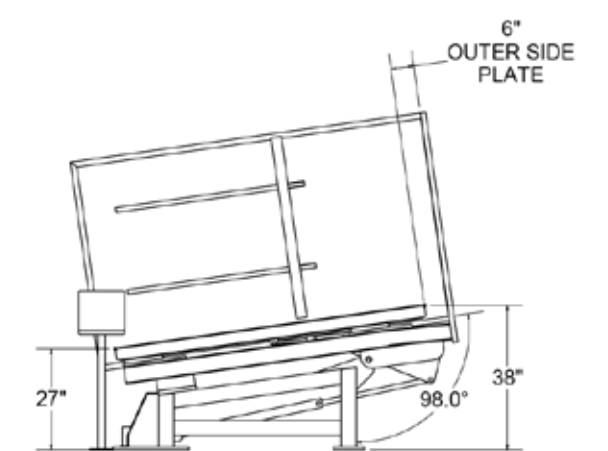
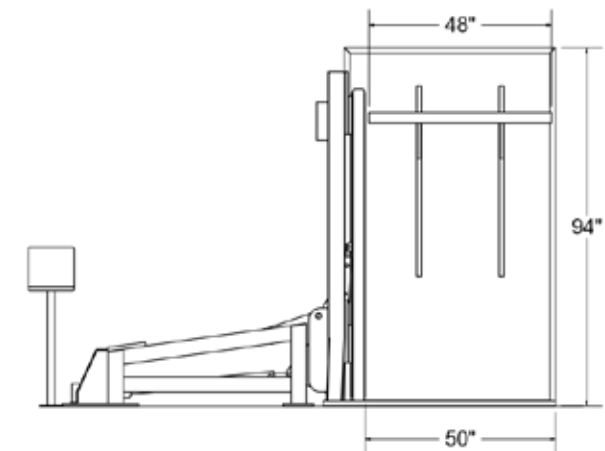


## Stainless Steel Pallet & Standard Pallet Inverter

PRICE: \$00,000.00

### Features

- 3,000 to 4,500 lbs capacity
- Quality North American components & off the shelf parts for maintenance
- Load with a pallet truck
- Floor level access so the inverter can be loaded with a pallet rack
- Adjustable height clamp from 75" to 120"
- Faster cycle times allows operator to remove pallets and spacers in record times for fast return on investment
- Stainless steel is standard and mild steel, epoxy coated are available
- Off the shelf UL/CSA electrical panels your needs.





## Stainless Steel Clean Room Manlift

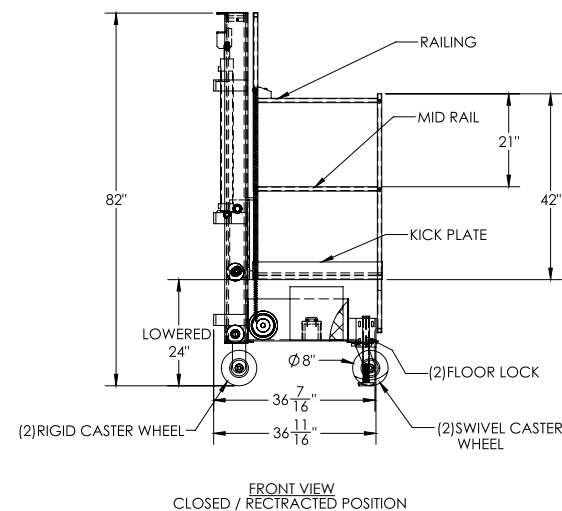
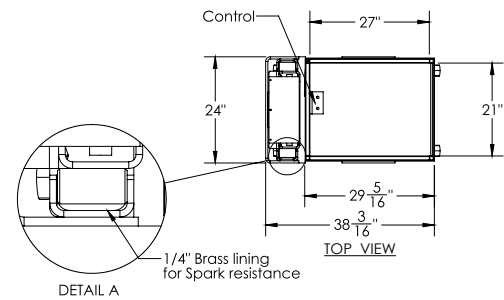
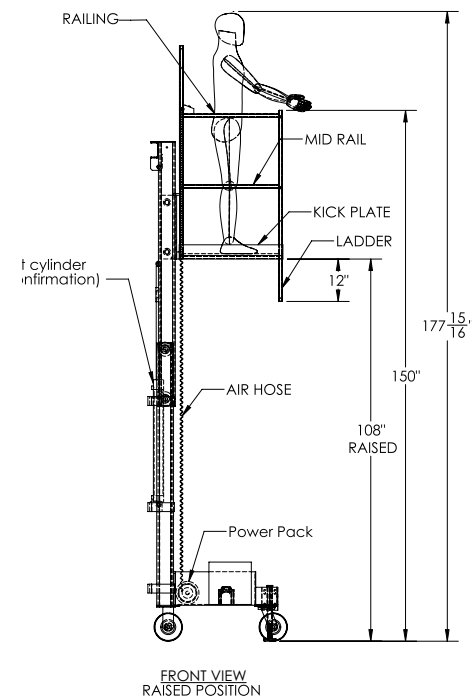
Air powered and DC powered 500 lbs

**PRICE: \$29,900.00**



### Features

- Operates in factory air
- Fast operating time
- Single and two person models
- Slipnot flooring
- 100% stainless steel
- Various layout and heights available
- Air powered available
- Spark proof available
- Longer platform available



## Stainless Steel Push Scissor Style Manlifts

Capacities to 1,000 lbs

**PRICE: \$29,900.00**



### Features

- Capacities to 1,000 lbs and lift heights to 144"
- Tube and non tube units available
- Delrin rollers and Delrin bushings



## Stainless Steel Tugger

1,500 to 4,000 lbs capacity

**PRICE:** \$00,000.00



### Features

- Can be used in a wide variety of applications
- Very compact design makes the machine extremely manoeuvrable
- Very easy to connect the hook to the object in an instant with almost no effort
- High quality Curtis Speed Controller, which is programmable according to your needs
- Increased employee productivity
- Powered lift available



## Electric Tug

3,300 lbs capacity

**PRICE:** \$2,440.00 Non Stainless Steel  
\$8,900.00 Stainless Steel



### Features

- The very smart and compact design of the Superlift Electric Tug 3,300lbs allow easy pulling operations in low duty applications on short distances
- Foldable handle
- Includes battery and charger

<b>Model</b>	<b>HG-127</b>
Max. Moving Weight	3,330 lbs
Motor	24V/400W
Moving speed	3-6km/h
Curtis controller	24V/70A
Lead acid battery	12V/22Ahx2
Charger	24V/2A
Product size	54.5" x 26" x 40"
Packing size	28.3" x 25" x 24.8"
Net Weight	167 lbs



Portable battery



Foldable handle

# Powered Galvanized Ramp

8,000 to 20,000 lbs capacity

PRICE: \$00,000.00



### Features

- Capacities from 8,000 to 20,000 lbs
- Perfect angles for lower and raised trailer exit
- Platform designed for safe and humane exit for animals
- Heavy duty construction with perforated floors for easy of sanitation
- Holding valves on cylinders
- Nema 4x controls
- Stainless hinges for longevity and easy maintenance



### Sample drawings only

\* Custom sizes available

